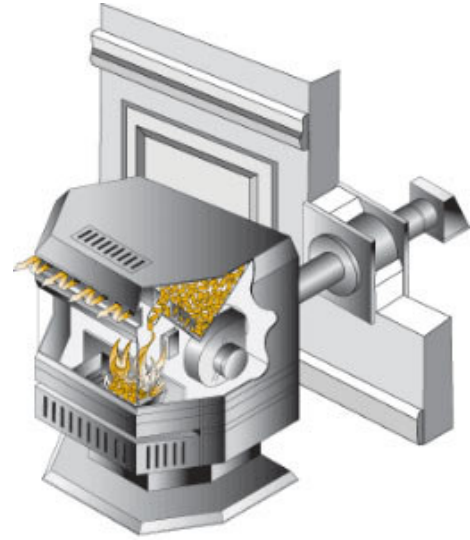


Pellet-Burning Stoves

Pellet-burning stoves are fueled by wood pellets which are made from compressed wood and such agricultural waste as rice hulls and corn husks. The Pellets, which resemble rabbit food, are fed into the appliance's combustion chamber automatically, often controlled by a thermostat. Heat is usually delivered by a forced air system.

Pellet-burning stoves operate around 75 to 80 percent efficiency and can be refueled into a hopper that can hold between 35 and 150 pounds of fuel pellets. The pellets are drawn into the firebox as needed by an auger.



Each stove has its own distance requirements. However, a pellet stove, which uses a forced air system and contains its own pellet hopper, can usually be placed closer to a combustible wall than the average wood heating stove. Some of the pellet stoves burn so cleanly that they do not need chimneys, but, can rely on wall vents made from SPECIAL INSULATED PIPE.

Only use "residential" fuel pellets which have an ash content of about 1 percent.

Below is a schematic drawing of a typical Wood Pellet Stove.

